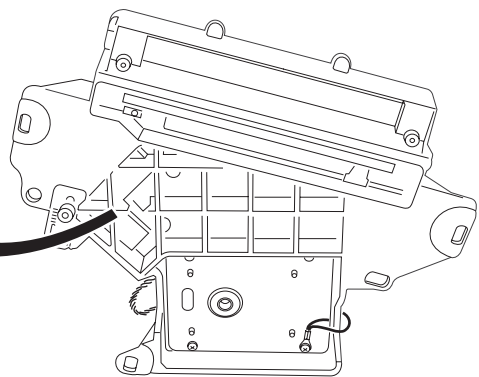
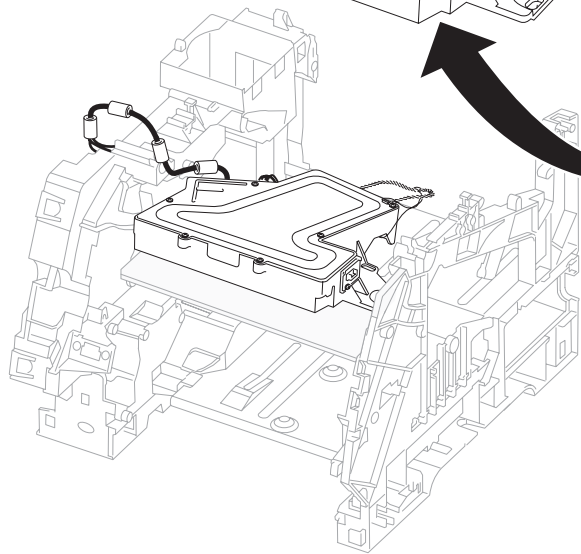


Top View



Bottom View